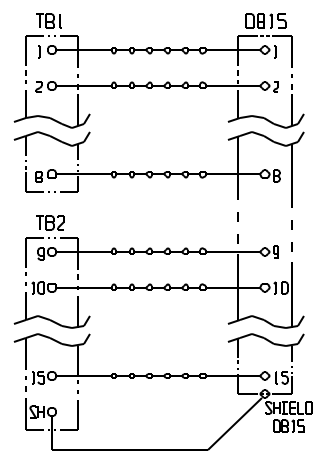
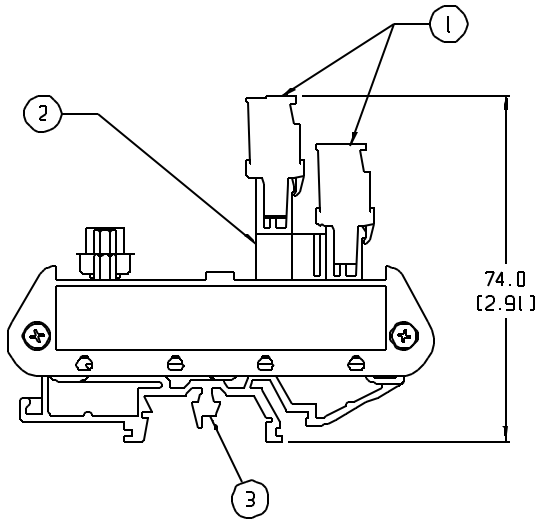


15 POSITION SHOWN



TYPICAL SCHEMATIC (15 POSITION SHOWN)

NO. OF CIRCUITS	DIM. "A"	MATERIAL NUMBER
09	39.4 [1.55]	39170-3109
15	54.4 [2.14]	39170-3115
25	79.8 [3.14]	39170-3125
37	106.4 [4.19]	39170-3137

- NOTES:
1. MATERIAL: SEE TABLE
 2. FINISHES: SEE TABLE
 3. PRODUCT SPECIFICATION: NOT REQUIRED
 4. PACKAGING: NOT REQUIRED
 5. MATES WITH: MALE D-SUB

ITEM	QTY.	DESCRIPTION	MATERIAL	FINISH
3	2	DIN RAIL ADAPTOR UNIT	THERMOPLASTIC	BLACK
2	1	FEMALE D-SUB TO 5.08 HEADER, PC BOARD ASSY.	-	-
1	2	5.08 PLUGGABLE BTS	SEE SD-39860-004	BLACK

REL NO: RELEASED DRWN: CLY CHK: [blank] APPR: [blank]	DESCRIPTION: [blank]	QUALITY SYMBOLS: MAJOR = [triangle] CRITICAL = [triangle with C] SPC = [triangle with S]	GENERAL TOLERANCES: (UNLESS SPECIFIED) mm INCH 4 PLACES ±.0015 3 PLACES ±.008 ±.005 2 PLACES ±.13 ±.01 1 PLACE ±.3	SCALE: 1:1 DESIGN UNITS: <input type="checkbox"/> mm <input checked="" type="checkbox"/> INCH DRAWN BY & DATE: C. YORK 11-09-04 CHECKED BY & DATE: [blank]	THIRD ANGLE PROJECTION: <input checked="" type="checkbox"/> THIRD ANGLE <input type="checkbox"/> FIRST ANGLE TITLE: DIN RAIL INTERFACE MODULE, FEMALE D-SUB TO 5.08 VERTICAL EUROSTYLE PLUG
		CAD FILENAME: SD-39170-001 DRAFT WHERE APPLICABLE MUST REMAIN WITHIN DIMENSIONS	APPROVED BY & DATE: [blank]	MOLEX INCORPORATED	MATERIAL NO. SEE CHART DRAWING NO. SD-39170-001 SHEET NO. 1 OF 1 SIZE B

PROJECT NO. 05-D10	-	-
DIMENSIONS:	SHY	REV
<input checked="" type="checkbox"/> mm <input type="checkbox"/> INCH <input type="checkbox"/> mm ONLY	REVISE ON CAD ONLY	

THIS DRAWING CONTAINS INFORMATION THAT IS PROPRIETARY TO MOLEX (INCORPORATED) AND SHOULD NOT BE USED WITHOUT WRITTEN PERMISSION.